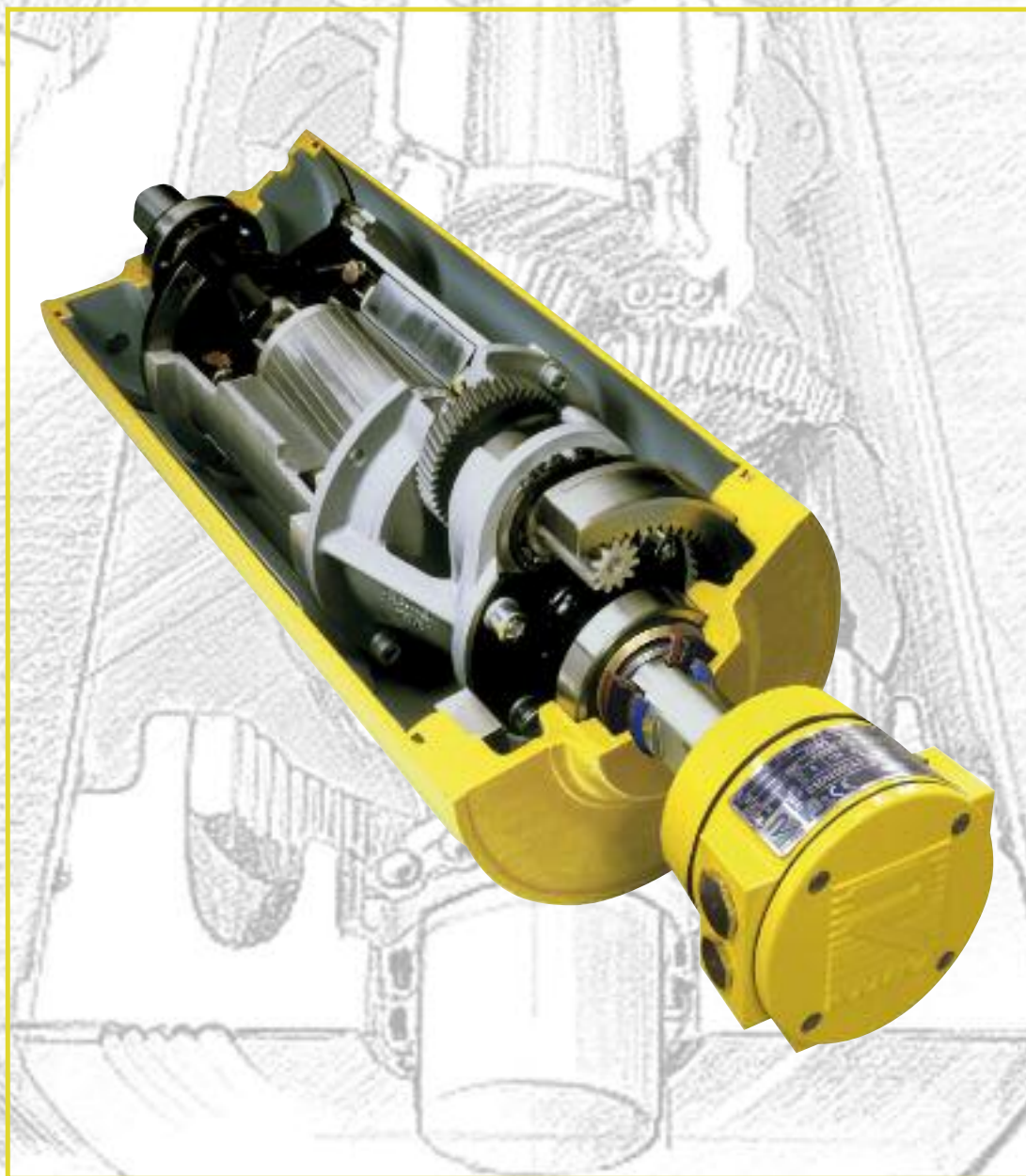


Motorized Pulleys for belt conveyors



Summary table



5° ed. MOT BU RULMECA GERMANY EN 01/13

BULK HANDLING



New enlarged product range

Rulmeca have just launched a product range, which has been reviewed, enlarged and up-graded to meet customer requirements.

In this connection, it was necessary to re-name all product descriptions to secure an easier choice of the right pulley for the right application.

The NEW product range offers three different loading performances:

- **L for Light-duty**
- **M for Medium-duty**
- **H/HD for High-duty**

In most cases you have a choice.

Therefore, it is important to notice the differences to choose the right type of pulley for the right application based on estimated belt tension (radial load) = $T1+T2$. The actual radial load MUST be LESS than the max. allowable radial load shown in this catalogue.

Be aware of increased belt tensions using multi-ply thick heavy belts and/or larger belt widths.

If you do not find the belt tension needed in the wanted diameter, you might have to choose a larger one.

The three above loading performances offers a product range suitable for any type of application whether working under/with

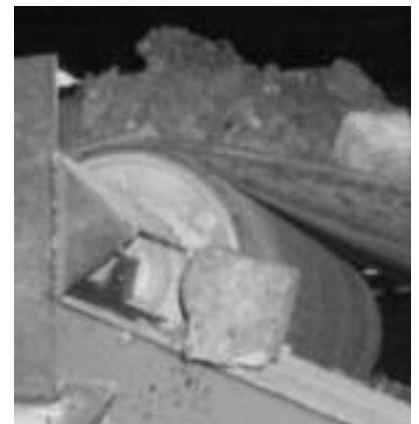
- regular and constant operating conditions
- TOUGH and IRREGULAR working conditions
- irregular and extreme loadings in BRUTAL conditions.

For further information, please open our web-site - www.rulmeca.com - or contact your nearest Rulmeca distributor.

The latest **Rulmeca Motorized Pulley catalogue** is available



Sea-dredged aggregates working in wet, salty and aggressive environment! IP66/67 sealing – a MUST – often with re-greasable seals!



Recycling application benefiting from IP66/67 sealing systems avoiding internal damage from audio or video cassette tapes and aggressive ambient environments containing air or gas of high Ph-values.



Rulmeca Motorized Pulleys: a name with deep roots

The Rulmeca Motorized Pulleys presented in this catalogue have a long history to tell.

It goes back to the 1950's, when the product was developed in Germany and Denmark.

Eventually, through a merging process the German Förder- und Antriebstechnik Aschersleben GmbH and the Danish John Kirkegaard Maskinfabrik A/S became partners of the Interroll Group.

From the early 1990's the manufacturing of all Interroll's BULK Motorized Pulleys were centralised in Aschersleben, Germany.

In July 2003 the production facility in Aschersleben, Germany, where Motorized Pulleys have been developed and produced for almost half a century, was purchased by Rulli Rulmeca Spa Italy, along with the entire BULK Business Unit.

It is from this plant, today renamed **RULMECA GERMANY GmbH**, that the JOKI tradition for quality and reliability will be continued under the **RULMECA brand**.

It is thanks to this long history that Rulmeca can be ranked as a very experienced manufacturer of BULK Motorized Pulleys offering the world largest product range.

Stay with us !

www.rulmeca.com

Features and Benefits of Rulmeca Motorized Pulleys

Purpose-built design

The Rulmeca Motorized Pulley has been specifically designed for belt conveyors.

Totally enclosed

The motor, gearbox and bearings are totally enclosed and sealed inside a steel shell; therefore they are unlikely to fail due to harmful environmental conditions such as water, dust, grit chemicals, grease, oil, etc.

Space saving design

Because the drive unit and the bearings are mounted inside the Motorized Pulley shell, it takes up much less room than a conventional drive. No need for costly extras like chains, v-belts, couplings, bearings, support structure and special guarding.

Safety

The Rulmeca Motorized Pulley is probably one of the safest drives available because the motor is completely enclosed and the external shafts are always stationary. The only moving external parts are the Motorized Pulley shell and bearing housings.

Low purchasing and installation cost

The Rulmeca Motorized Pulley is quite often less expensive than exposed drives because it has fewer parts.

Therefore less conveyor design and parts purchasing costs. It is also much quicker and easier to install - certainly less than a quarter of the time taken to fit an exposed system.

Low maintenance cost

The end user also benefits from the Rulmeca Motorized Pulley, because it requires no maintenance other than the recommended oil change every 20,000 hours and oil seal change every 30,000 hours. In other words almost 10 years between oil changes based on an 8- hour/day working week. Synthetic oil can be specified to extend the service range up to 50,000 hours.

Efficiency

The Rulmeca Motorized Pulley usually has a much higher efficiency from electrical motor to shell (Pulley face) than conventional drives, because it has fewer frictional losses, and therefore efficiencies of up to 95-97% can be achieved.

Cleanliness

Because the Rulmeca Motorized Pulley is hermetically sealed it cannot contaminate any conveying materials such as food, electrical components, plastics and other materials that must be kept perfectly clean during handling.

Aesthetic appearance

If installed correctly the Rulmeca Motorized Pulley always looks good. Due to its compact size and smooth lines, quite often the Motorized Pulley is out of sight, because it is hidden within the conveyor frame.

Thermal protection

All three phase Rulmeca Motorized Pulleys are protected by our thermal protection

switch. This heat sensitive switch is built into the motor windings to protect the motor from overheating. The thermal protector must be connected to a normally closed circuit.

Weight saving and distribution

Often the Rulmeca Motorized Pulley is lighter than conventional drives and often it is possible to reduce the cost of the conveyor structure, because the weight is evenly distributed within the conveyor frame.

Variable frequency converter

All Rulmeca Motorized Pulleys with 3 phase motors are easily controlled by variable frequency converters working in the 15 Hz to 65 Hz frequency range. See Technical Precautions in the catalogue.

Fewer parts

A Rulmeca Motorized Pulley consists of the Motorized Pulley and two fixing brackets! Exposed drives can require up to eight or more separate components, most of which have to be purchased from different suppliers or custom manufactured.

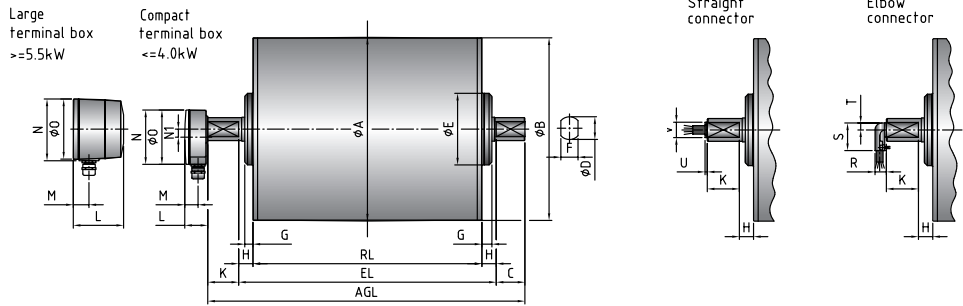
Low noise

Thanks to the totally sealed enclosure and high quality gears the Rulmeca Motorized Pulley runs almost at a whisper – a very important fact in today's modern factory environments.

The Rulmeca Motorized Pulley – the ideal drive unit for conveyors **"Fit it and forget it"**.



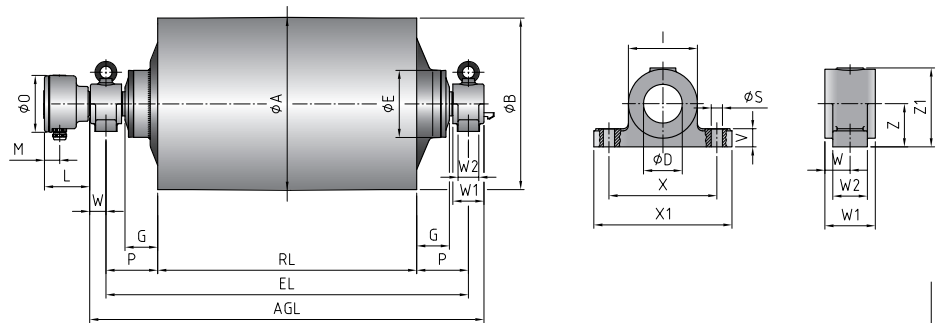
Motorized Pulley 138E-500M



| Type | Motorized pulleys or idler pulleys (UT) | | | | | | | | | | Compact terminal box ≤4.0 kW | | | | Larger terminal box ≥5.5 kW | | | | Straight connector ≤4.0 kW | | Elbow connector ≤4.0 kW | | |
|-------------|---|-------|------|----|-----|----|------|---------------------|------|------|------------------------------|----|----|----|-----------------------------|----|-----|-----|----------------------------|------|-------------------------|----|----|
| | A | B | C | D | E | F | G | G ^{TS9/11} | H | K | L | M | N | N1 | L | M | N | O | U | V | R | S | T |
| 138E | 138.5 | 137 | 23.5 | 30 | 54 | 20 | 5 | - | 16.5 | 23.5 | 41 | 24 | 95 | 14 | - | - | - | - | 3.5 | 19.5 | 20 | 48 | 12 |
| 165E | 165 | 163.5 | 43.5 | 40 | 80 | 30 | 10 | 13.5 | 21.5 | 41.5 | 41 | 24 | 95 | 14 | - | - | - | - | 4 | 27 | 20 | 48 | 12 |
| 220M & 220H | 216 | 214.5 | 43.5 | 40 | 100 | 30 | 15.5 | 19.5 | 21.5 | 41.5 | 41 | 24 | 95 | 14 | 87 | 27 | 107 | 105 | 4 | 27 | 20 | 48 | 12 |
| 320L | 323 | 319 | 50 | 40 | 96 | 30 | 15 | 19.5 | 25 | 54 | 41 | 24 | 95 | 14 | - | - | - | - | 4 | 27 | 20 | 48 | 12 |
| 320M | 321 | 319 | 50 | 40 | 125 | 30 | 17.5 | 22.5 | 25 | 54 | 41 | 24 | 95 | 14 | 87 | 27 | 107 | 105 | 4 | 27 | 20 | 48 | 12 |
| 320H | 321 | 319 | 50 | 50 | 148 | 40 | 11 | 20.5 | 25 | 55 | 41 | 24 | 95 | 14 | - | - | 107 | - | 4 | 27 | 20 | 48 | 12 |
| 400L | 404 | 400 | 50 | 40 | 125 | 30 | 20 | 22.5 | 25 | 54 | 41 | 24 | 95 | 14 | 87 | 27 | 107 | 105 | 4 | 27 | 20 | 48 | 12 |
| 400M & 400H | 404 | 400 | 50 | 60 | 194 | 45 | 23 | - | 25 | 50 | - | - | - | - | 131 | 46 | - | 165 | - | - | - | - | - |
| 500L & 500M | 501 | 497 | 50 | 60 | 194 | 45 | 23 | - | 25 | 50 | - | - | - | - | 131 | 46 | - | 165 | - | - | - | - | - |

| | | | | | | | | | | |
|-----------------|-------|-------|------|----|-----|----|------|------|------|---|
| UT138E | 138.5 | 137 | 23.5 | 30 | 54 | 20 | 5 | - | 16.5 | - |
| UT165E | 165 | 163.5 | 43.5 | 40 | 80 | 30 | 10 | 13.5 | 21.5 | - |
| UT220M & UT220H | 216 | 214.5 | 43.5 | 40 | 100 | 30 | 15.5 | 19.5 | 21.5 | - |
| UT320M | 321 | 319 | 50 | 40 | 125 | 30 | 14.5 | 22.5 | 25 | - |
| UT320H | 321 | 319 | 50 | 50 | 148 | 40 | 11 | 20.5 | 25 | - |
| UT400L | 404 | 400 | 50 | 40 | 125 | 30 | 17 | 22.5 | 25 | - |
| UT400M & UT400H | 404 | 400 | 50 | 60 | 168 | 45 | 20 | - | 25 | - |

Motorized Pulley 500H-1000HD



| Type | Motorized pulleys or idler pulleys (UT) | | | | | | Terminal box | | | | Brackets | | | | | | | |
|----------------|---|------|---|-----|-----|-----|--------------|-----|-----|-----|----------|------|-----|-----|-----|-----|-----|-----|
| | A | B | C | D | E | G | L | M | O | P | S | W | W1 | W2 | X | X1 | Z | Z1 |
| 500H upto 22kW | 501 | 497 | - | 65 | 192 | 95 | 131 | 46 | 165 | 150 | 23 | 45 | 90 | 60 | 180 | 240 | 80 | 141 |
| 500H 22 & 30kW | 501 | 497 | - | 65 | 192 | 95 | 166 | 54 | 230 | 150 | 23 | 45 | 90 | 60 | 180 | 240 | 80 | 141 |
| 630M upto 22kW | 630 | 626 | - | 65 | 192 | 95 | 131 | 46 | 165 | 150 | 23 | 45 | 90 | 60 | 180 | 240 | 80 | 141 |
| 630M 22 & 30kW | 630 | 626 | - | 65 | 192 | 95 | 166 | 54 | 230 | 150 | 23 | 45 | 90 | 60 | 180 | 240 | 80 | 141 |
| 630H | 630 | 626 | - | 90 | 268 | 88 | 166 | 54 | 230 | 150 | 26 | 58.5 | 117 | 80 | 250 | 320 | 100 | 183 |
| 800M | 800 | 796 | - | 90 | 268 | 88 | 166 | 54 | 230 | 150 | 26 | 61 | 117 | 80 | 250 | 320 | 100 | 183 |
| 800H | 800 | 796 | - | 120 | 330 | 80 | 206 | 67 | 260 | 150 | 33 | 95 | 160 | 120 | 300 | 370 | 110 | 213 |
| 800HD | 800 | 796 | - | 120 | 330 | 80 | 206 | 67 | 260 | 150 | 33 | 95 | 160 | 120 | 300 | 370 | 110 | 213 |
| 1000H & HD | 1020 | 1014 | - | 203 | 520 | 145 | 218 | 122 | 325 | 215 | 50 | 228 | 143 | 130 | 560 | 717 | 215 | 412 |

| | | | | | | | | | | | | | | | | | | |
|--------|-----|-----|---|-----|-----|----|---|---|---|-----|----|------|-----|-----|-----|-----|-----|-----|
| UT500H | 501 | 497 | - | 65 | 235 | 95 | - | - | - | 150 | 23 | 45 | 90 | 60 | 180 | 240 | 80 | 141 |
| UT630M | 630 | 626 | - | 90 | 226 | 85 | - | - | - | 150 | 26 | 45 | 117 | 80 | 250 | 320 | 100 | 183 |
| UT630H | 630 | 626 | - | 120 | 330 | 75 | - | - | - | 150 | 33 | 58.5 | 160 | 120 | 300 | 370 | 110 | 213 |

The dimension "W" is the distance between the centre of the fixing hole of the bracket to the end of the terminal box.



EUROPE

BELGIUM

UVO Technologies bvba
Rozenlei 37 - BE - 2540 Hove
Phone: +32 (0) 3 455 43 22
Fax: +32 (0) 3 454 36 70
Web: www.uvo.be - email: info@uvo.be

DENMARK

RULMECA A/S
Langebjergvænget 19D
DK - 4000 Roskilde
Phone: +45 36 776755
Fax: +45 36776855
email: dk@rulmecca.com

FINLAND

RULMECA OY
Tuusantie 1
FI - 03100 Nummela
Phone: +358 9 2243 5510
Fax: +358 9 2243 5100
email: kpuhakka@rulmecca.com

FRANCE

PRECISMECA
Equipements de Manutention
15, Rue de la Côte
C.S. 90015 - 67701 SAVERNE Cedex
Phone: +33 3 88 715800
Fax: +33 3 88 912801
email: info.france@rulmecca.com

GERMANY

RULMECA Germany GmbH
Wilslebener Chaussee 12-14
DE - 06449 Aschersleben
Phone: +49 (0) 3473 956-0
Fax: +49 (0) 3473 956-210
email: faa@rulmecca.com
web: www.rulmecca.com

ITALY

RULLI RULMECA S.p.A.
Via A. Toscanini, 1
IT - 24011 Almé (Bergamo)
Phone: +39 035 4300 111
Fax: +39 035 545 523
email: rulmecca@rulmecca.it
web: www.rulmecca.it

NORWAY

INTERROLL AS
Kobbervikdalen 65
NO - 3036 Drammen
Phone: +47 32 882600
Fax: +47 32 882610
email: n-sales@interroll.com

PORTUGAL

RULMECA DE PORTUGAL
P. Ind. do Tortosendo - Edificio Parkurbis,
Loja 7 - Apatardo 113
PT - 6200-865 Tortosendo
Phone: +351 275 330 780
Fax: +351 275 330 789
email: rulmecca@rulmecca-interroll.pt

RUSSIA

Sales Office Moscow
Leninski Prospekt 95 A
RU - 119313 Moscow
Phone: +7 (499) 132 3774
Fax: +7 (495) 937 5243
email: faamsk@com2com.ru

SPAIN

RULMECA ESPAÑA S.L.
P.I. Urvasa - C/Ripollés, 14
ES - 08130 Sta. Perpètua de la Mogoda
Phone: +34 93 5449199
Fax: +34 93 5744424
email: espana@rulmecca.com

SWEDEN

RULMECA A/S
Skaraborgsgatan 29A
SE - 532 30 Skara
Phone: +46 (0) 511 160 27
Fax: +46 (0) 511 160 29
email: se@rulmecca.com

TURKEY

**RULMECA TASIMA AKSAMLARI
TICARET LIMITED SIRKETI**
Dekocity AVM - Erler Mah. Dumlupınar
Bulvarı No:348/61
TR - 06930 Ümitköy/ANKARA
Phone: +90 312 284 64 74
Fax: +90 312 284 64 78
email: turkey@rulmecca.com

UNITED KINGDOM

RULMECA UK Ltd.
Brunel Road
Earlstrees Ind. Estate
GB - Corby, Northants NN17 4UX
Phone: +44 1536 748 525
Fax: +44 1536 748 535
email: uk@rulmecca.com

NORTH & SOUTH AMERICA

BRAZIL

TECTOR
Av. Novo Horizonte, 406 Santo André
BR - 09060-820 São Paulo
Phone: +55 (11) 4428-2888
Fax: +55 (11) 4421-9338
email: vendas@tector.com.br
web: www.tector.com.br

CANADA

PRECISMECA RULMECA GROUP
75 Mason Street,
CA -Wallaceburg,Ontario,N8A 4L7
Phone: +1 519-627-2277
Fax: +1 519-627-5115
email: sales@precismeca.ab.ca
web: www.precismeca.ab.ca

PERU

BLEXIM S.R.L.
Calle las Camelias 710 OF. 501
PE - San Isidro,Lima
Phone: +51-1 441-6373
Fax: +51-1 421-9384
email: ventas@blexim.com
web: www.blexim.com

USA

RULMECA CORPORATION
6508 Windmill Way, Suite B
US - 28405 Wilmington, NC
Phone: +19 10-794 9294
Fax: +19 10-794 9296
email: mgawinski@rulmecacorp.com
web: www.rulmecacorp.com

VENEZUELA

INDUSTRIAS RULMECA S.A.
Zona Industrial Municipal Norte
Calle Este Oeste Galpón 67-200
VE - Valencia, Edo. Carabobo
Phone: +58 241-8336249
Fax: +58 241-8321517
email: rulmecca@rulmecca.com.ve
web: www.rulmecca.com.ve

ASIA

CHINA

RULMECA (TIANJIN) CO., LTD
D1-2 & D1-4, Saida International Industrial
Park, Xiping Economic Development Area (XEDA)
CN - 300385 Tianjin
Phone: +86 22 2388 8628
Fax: +86 22 2388 9828
email: sales@rulmecca.com.cn

INDIA

LAKHOTIA ENTERPRISE
150, Broadway
IN - 600 0108 Chennai
Phone: +91 44 25226466
Fax: +91 44 25247040
email: mayuresh@lakhotia.net
web: lakhotia.co.in

INDONESIA

PT.RULMECA INDONESIA
Rukan Mutiara Taman
Palem B5 No.15
ID-11730 Cengkareng, Jakarta Barat
Phone: +62 21 5435 5608
Fax: +62 21 5435 5608
email: suwarno.kie@rulmecaindonesia.com

ISRAEL

COMTRANS ENGINEERING Ltd.
5 Hahoma Street
IL - 75655 Rishon le-Zion
Phone: +972 3 961 9636
Fax: +972 3 961 9644
email: comtrans@comtrans.com

THAILAND

RULMECA THAILAND CO. LTD.
41/15 Moo 6, Bangchalong Bangplee
TH - 10540 Samutprakarn
Phone: +66 2 337 0297
Fax: +66 2 337 0302
email: th-sales@rulmecca.co.th

AFRICA & AUSTRALIA

EGYPT

DATCO
Industrial Service Center
Osman Towers Floor 15
6 EL-SAAD St.,
EG - 11341 Cairo
Phone: +20-2-24521203
Fax: +20-2-24521202
email: datco@datcoegypt.com
web: www.datcoegypt.com

SOUTH AFRICA

MELCO CONVEYOR EQUIPMENT LTD.
Cnr. Hertzog & Jack Pienaar Street
Germiston South Ext. 7
ZA - 1400 Germiston
Phone: +27 87 806 3160
Fax: +27 11 825 3592
email: conveyors@melco.co.za
web: www.melcoconveyors.com

AUSTRALIA

RULMECA MELCO AUSTRALIA
Corporate House
Building 6 Garden City Office Park
2404 Logan Rd Eight Mile Plains
AU - 4113 Queensland
Phone: +61 (0) 467666067
email: markr@melco.co.za
web: www.melcoconveyors.com